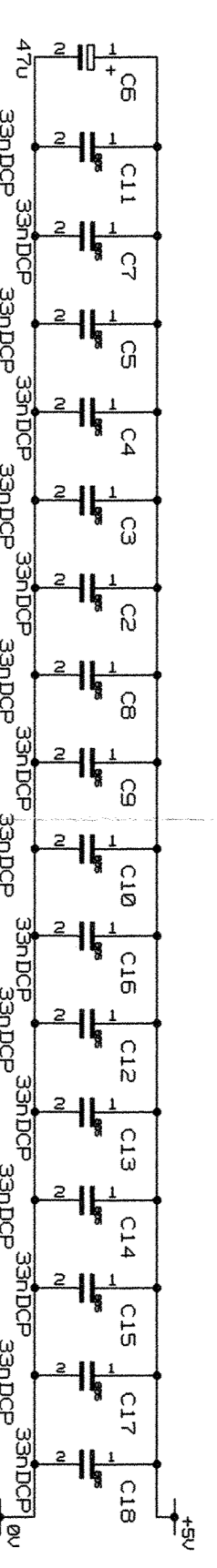
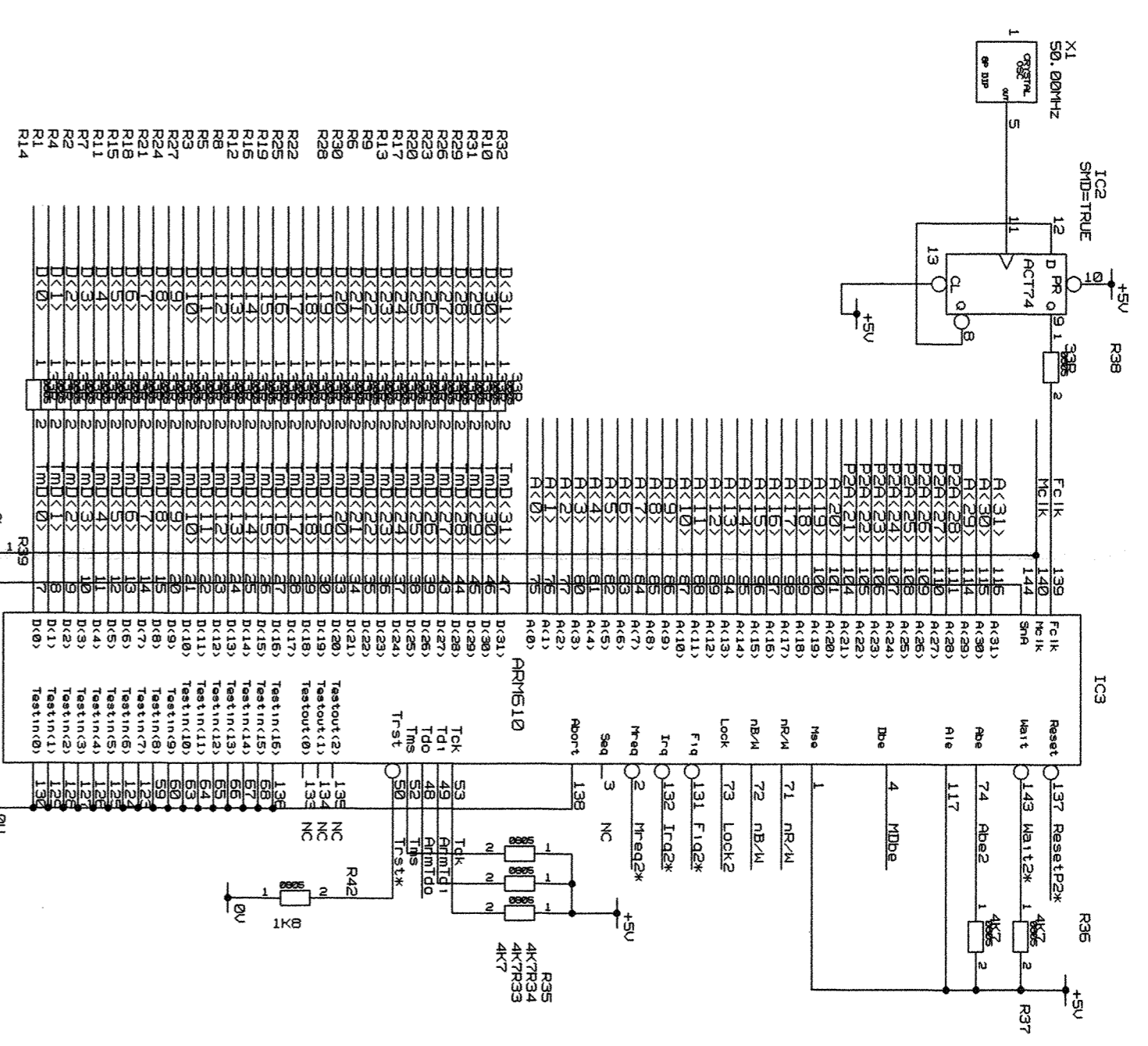


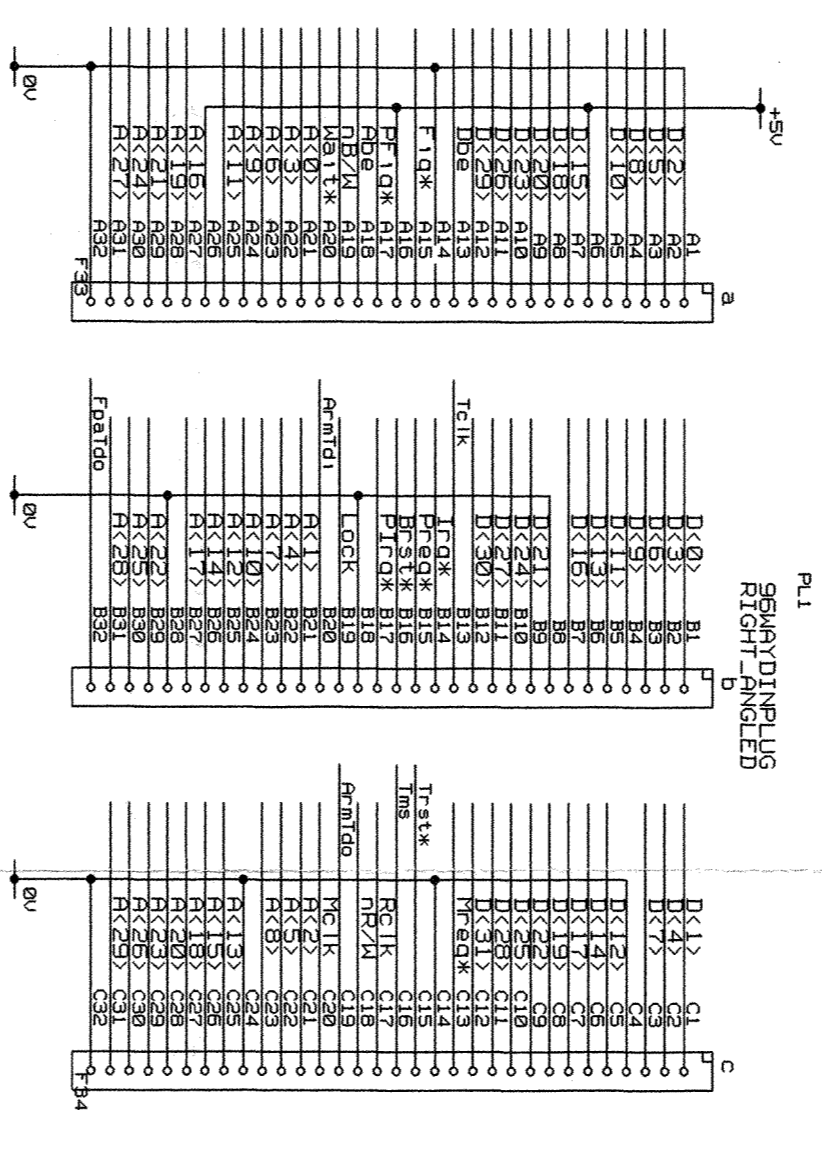
DECOUPLING



ARM 610 (TAPP)



PROBUS Connector



Unconnected Bus Signals

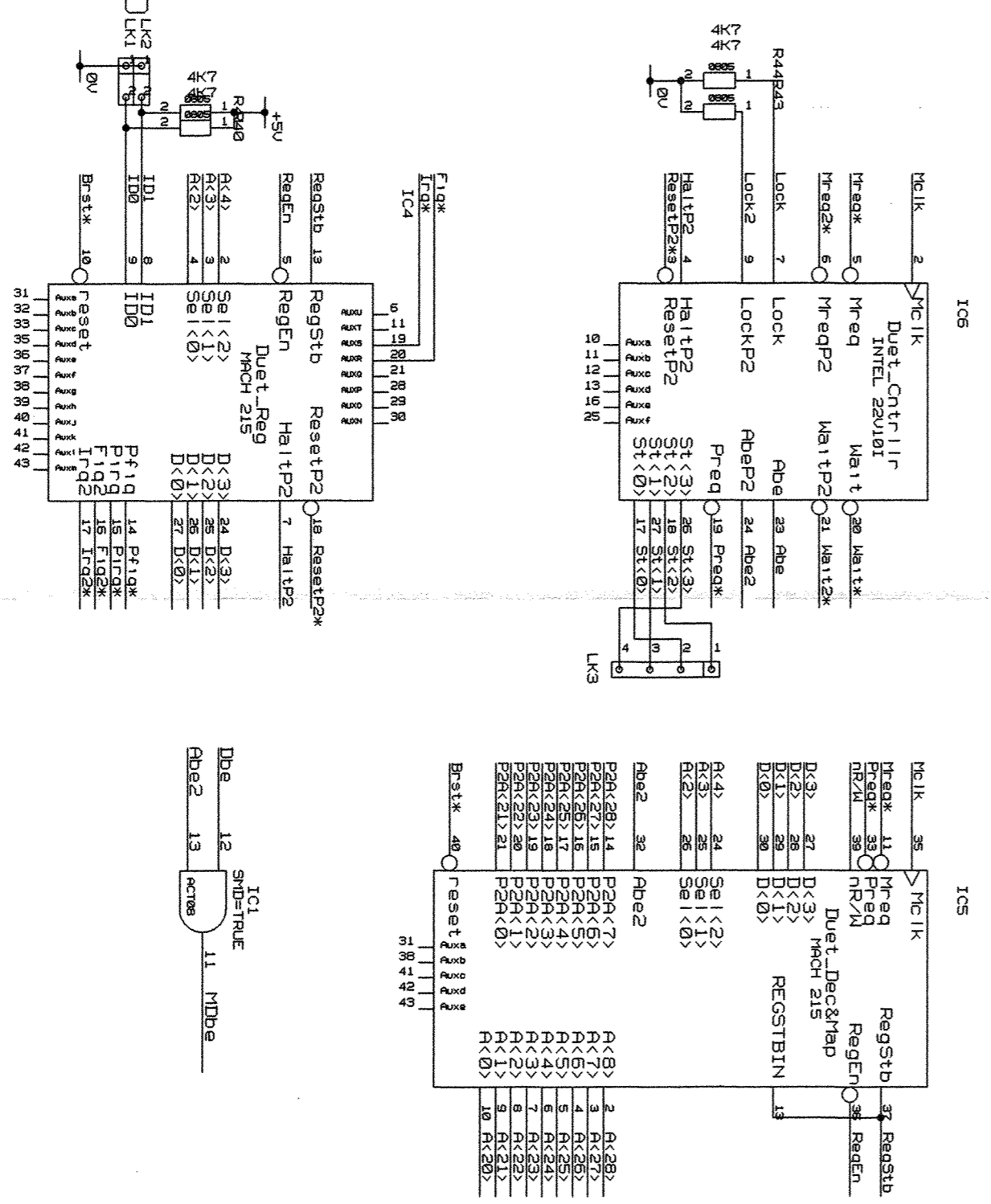
Rc1k
Rdatdo

Connected only on this card

Tc1k
ArmtD1
ArmtD0
Tms
Trstsk

2nd CPU IDLK

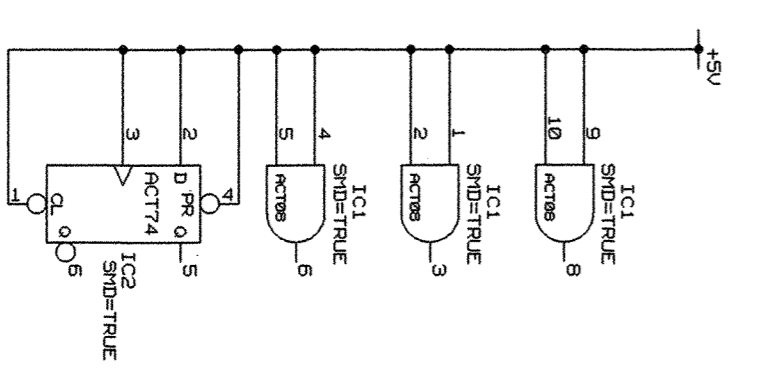
Bus Arbitration



POWER AND GROUND LIST

DESIGNATOR	PART TYPE	GND	VCC
IC1	74ACT08	7	14
IC2	74ACT74	7	14
IC3	ARM610	5	6
		16	17
		18	19
		30	31
		40	42
		41	42
		61	61
		62	61
		69	70
		78	79
		91	90
		92	92
		103	102
		113	112
		121	122
		142	141
IC4	MACH215 PLD	1	22
		12	44
		23	34
		34	23
IC5	MACH215 PLD	1	22
		12	44
		23	34
		34	23
IC6	INTEL 22V101 PLD	8	1
		14	15
		15	14
		22	22

Unused Gates



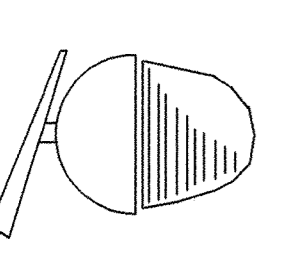
REVISIONS
LAST MODIFIED: Wed Dec 22 15:46:38 1993
ARM610/22V101

ISS DATE	DESC. OF CHANGE	ENG. CHKD.
F	29/11/93 Disconnected RLE from RCF3	
E	19/11/93 Connecting R19 & R19 to CF3	
D	4/11/93 Added aux pins & post reviewer fdbk	
C	29/10/93 Padded Bus cntl PLDs CF5	
B	30/9/93 Term. Res's Added	
A	19/7/93 Initial - taken from ARM610 card	

ALL DIMENSIONS IN MM
UNLESS OTHERWISE STATED

SCALE	
MATERIAL	
FINISH	
WHOLE NO. TOL.	
DECIMAL NO. TOL.	
ANGLE TOL.	

Copyright of this drawing is reserved by ACORN COMPUTERS LTD. It is issued on condition that it is not copied, reproduced or disclosed to a third party, either wholly or in part, without the consent in writing of ACORN COMPUTERS LTD.



© COPYRIGHT 1993
ACORN COMPUTERS LTD
ACORN HOUSE
VISTON PARK
HILTON
CBA 4EE

TITLE Medusa ARM610 2nd Proc
Test Card CCT DIAGRAM
ACORN COMPUTERS Ltd A1 DRG. No 0197, 215 /C