

Fitting a Colour Card to an A3000

IMPORTANT:

Fitting a Colour Card to an A3000 requires a small amount of technical skill and can be tricky. It is not recommended for a novice. Wild Vision can accept no responsibility for any damage that may result through incorrect installation. If in doubt, consult your local Acorn supplier.

The standard Colour Card does not fit the A3000 directly. You need a special adaptor and ribbon cable (available from Wild Vision - address inside the Colour Card manual).

Tools needed:

You need a few simple tools:

- small cross-head screwdriver,
- pair of pliers or small spanner.

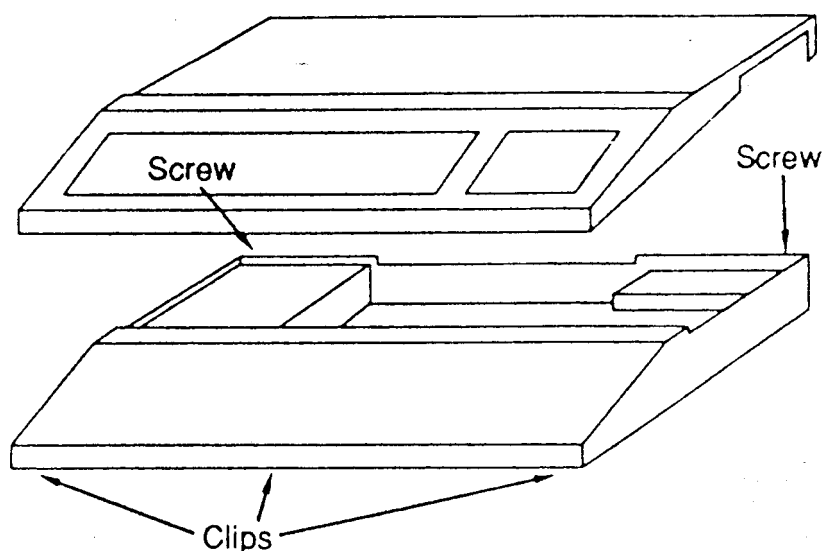
A medium or large flat-bladed screwdriver is also useful.

1 Disconnect all leads from the A3000

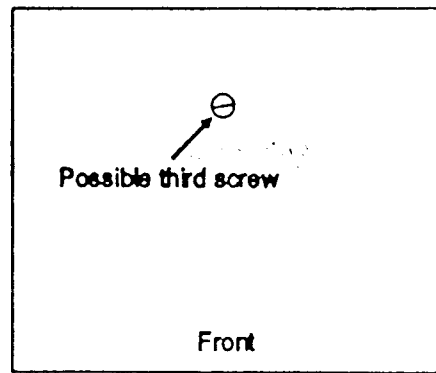
Switch off the A3000 and remove all leads.

Remove the top cover

Remove the two screws from the rear of the computer.

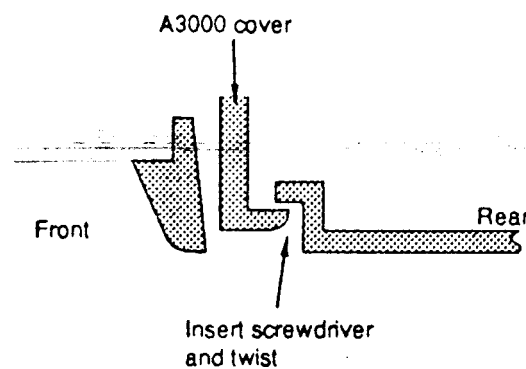


Undo the screw located centrally underneath the computer. (Not all A3000 computers have this screw.)



View of underside of A3000

Unclip three retaining clips-at the front of the computer. These can be quite awkward to unclip. In cross section the front of the computer looks like this:



The best way to unclip each retaining clip is insert a flat bladed screwdriver and twist.

When you have unclipped all the retaining clips gently lift the front of the cover.

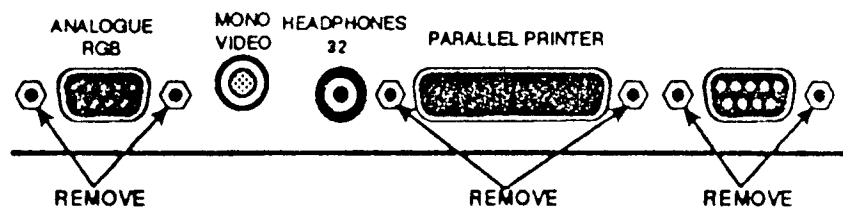
The two screws at the rear also hold two clips in place. Push in these clips and completely remove top cover.

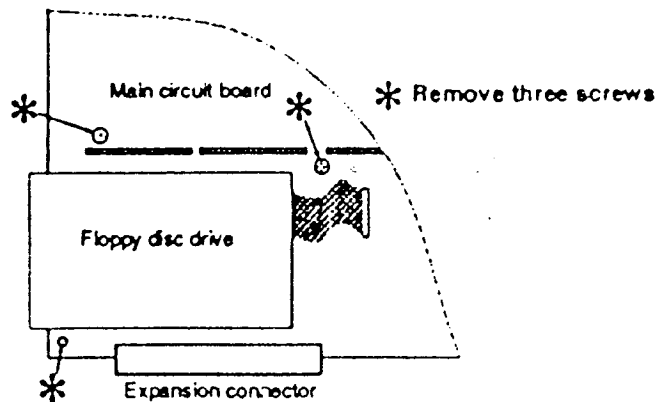
CAUTION!

The keyboard is held in place by the top cover. Hold the keyboard when you turn over the computer.

3 Remove the rear panel

Use the pliers or spanner to unscrew and remove the six hexagonal turrets on the rear panel.



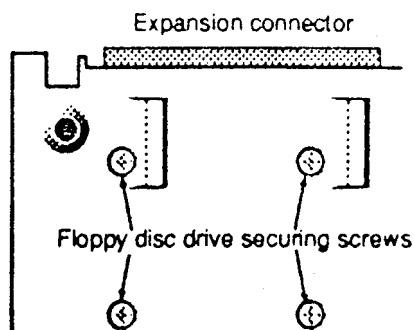


You can now remove the rear panel by gently lifting the main circuit board.

4 Remove the floppy disc drive

Unplug the two cables to the floppy disc drive.

Unscrew the four screws that secure the floppy disc drive. They are accessible from underneath the computer.



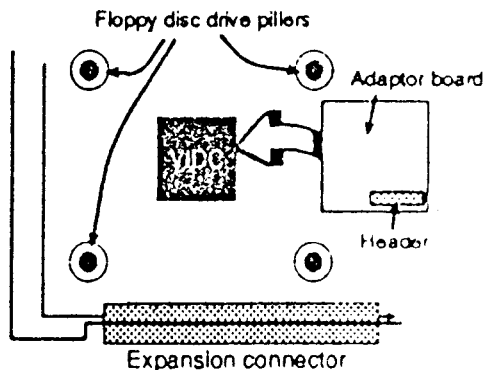
CAUTION!

Hold the floppy disc drive as you remove it otherwise you might drop and damage the drive. Handle the disc drive carefully- it is a delicate item of electronic equipment.

5 Fit the adaptor board

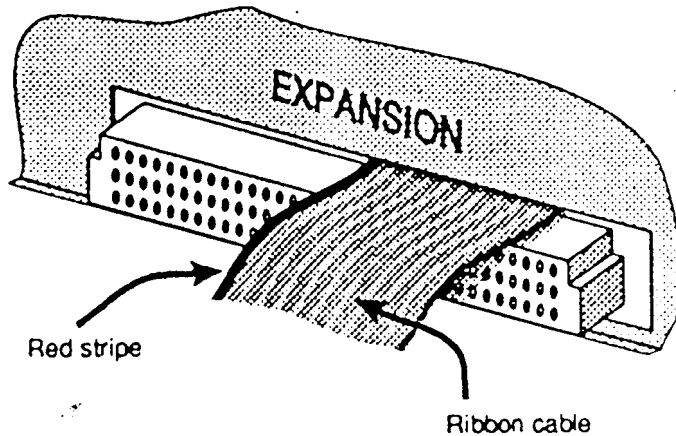
When you remove the floppy disc drive you will see a large, square chip on the main circuit board. This is the VIDC chip.

Plug the adaptor board over this chip with the connector facing the rear of the computer. Press the adaptor board down firmly over the VIDC chip.



6 Connect the Colour Card ribbon cable

Pass the cable through the expansion slot over the top of the connector.



Plug the cable into the header on the adaptor board. The red stripe is towards the nearest edge of the computer.

7 Refit the floppy disc drive

Do not over-tighten the fixing screws.

Reconnect the two cables to the drive.

8 Refit the rear panel

Secure the main circuit board (three screws). Be careful not to over-tighten the screws.

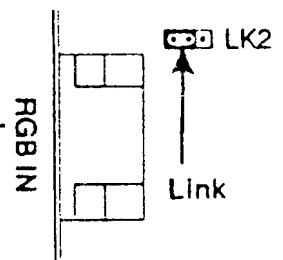
Refit the six hexagonal turrets. This is easier if you first lightly screw in all six turrets and then tighten them.

9 Remove the Colour Card from its protective bag

Static electricity can damage the Colour Card. Do not remove it from its anti-static bag until you are ready to fit it.

10 Check LK2 on the Colour Card

LK2 must be in position 2-3 (as shown right). Change it if necessary.



11 Plug the Colour Card into the A3000 Expansion connector

12 Complete installation

Turn to page 12 of the Colour Card manual. Follow the installation procedure starting at *Copy the software*.