

'Mini-Podule' Expansion Card Fitting Instructions

WARNING!



Your computer contains hazardous voltages so before removing any cover, switch off and disconnect from the mains supply as failure to do so may cause injury.

CAUTION!



OBSERVE PRECAUTIONS FOR HANDLING ELECTROSTATIC SENSITIVE DEVICES. Your computer and upgrade can be damaged by careless static discharge. Earth yourself and try to avoid touching any of the electronic circuitry.

Note: The computer motherboard and expansion card are static sensitive and excessive handling can damage them. It is recommended that the upgrade is left in its protective packaging and only removed immediately prior to plugging it into the machine. Precautions should be taken to reduce static by wearing an earthed anti-static strap or by occasionally touching an earthed surface. As the fitting of this upgrade is outside our control, no responsibility can be accepted for any consequential loss or damage caused by its incorrect installation. If you are unsure about fitting this upgrade yourself then ask your local Acorn dealer to fit it for you.

Tools Required

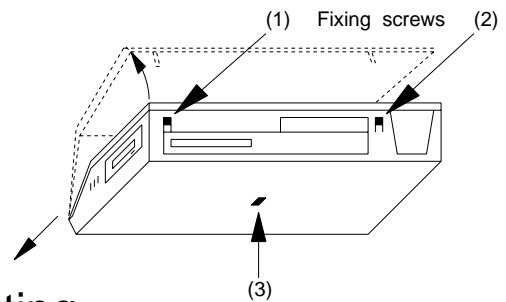
A small cross-head screwdriver for removing the case and for securing the expansion card.

A3010/3020 and A4000 Only

Follow the instructions in Appendix E: 'Inside the computer' in the Welcome Guide to gain access to the expansion port area. For the A3010/3020 remove the plastic and metal rear blanking covers by pulling them upwards. For the A4000, use a small cross-head screwdriver to remove the two fixing screws that hold the metal blanking cover to the back panel. Keep the covers safe so they can be re-fitted if the expansion card is to be removed at a later date.

A3000 Only

Disconnect the computer from the mains supply and unplug all other connecting cables. The computer's top cover must be removed using a small cross-head screwdriver. First unscrew the two retaining screws from the rear and turning the computer over, remove the single central screw in the base. The top of the case can now be removed by depressing the two rear catches and lifting the lid carefully to release the three clips at the front.

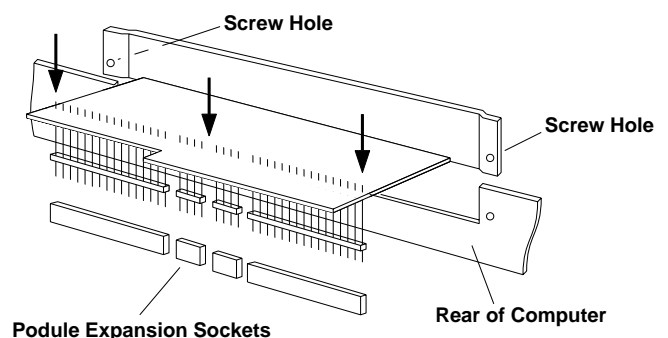


Fitting

- 1) Now locate the podule expansion connector, the line of four black sockets running left to right to the rear of the machine, and check that they are straight and vertical. Reposition any cables that may be lying across them.
- 2) Carefully remove the upgrade from its protective packaging and check that the row of pins are straight and that any protective foam blocks are removed.

The sockets and pins must be straight before the board is fitted as they will prevent the upgrade from making a reliable connection with the computer.

- 3) Hold the upgrade by the metalwork and position it so that its pins line up with the four black podule sockets. Double check that the pins are aligned correctly before pushing home. Push the board home with firm and even pressure, trying to avoid pressing on any of the components. If any excessive resistance is felt then check that the connectors are aligned correctly. The upgrade should be pushed down until the ends of the pins completely disappear with the plastic rib resting on the top of the sockets. The two screw holes at either end of the metalwork should now be lined up with the corresponding holes in the rear of the computer. Secure the plate to the computer using two 2.5mm thread screws and tighten so that the upgrade is fixed firmly. (Use the screws included with the upgrade or re-use the screws from the original blanking plate)



- 4) With the upgrade fitted, the case can now be reassembled by following the instructions in reverse. Make sure that the case screws are firm but not over-tight.
- 5) With the lid properly secured, reconnect the machine and switch on.
- 6) It is highly recommended that the machine is tested for electrical safety before it is used.

Follow the additional software instructions to make the necessary configurations for correct operation.