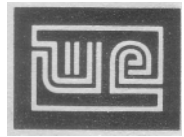
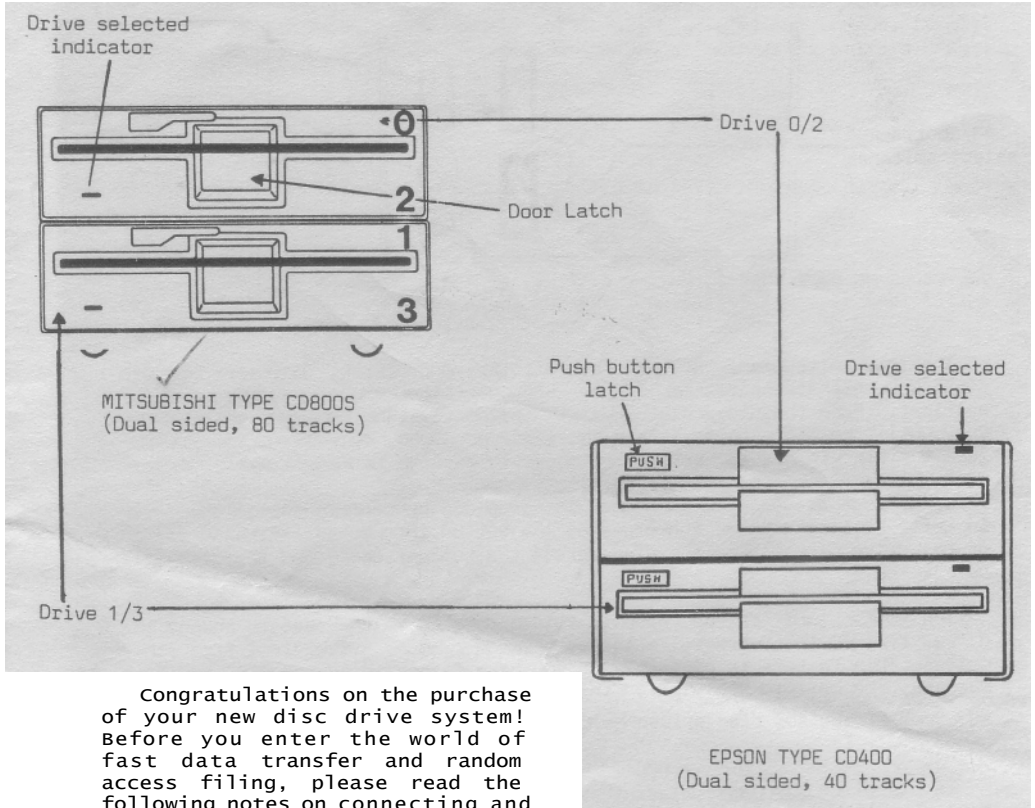


OPERATING INSTRUCTIONS FOR YOUR NEW WATFORD ELECTRONICS DISC DRIVE



250 High Street, Watford, WD1 2AN, England. Tel: Watford (0923) 37774 / 40588. Telex: 8956095 WATFRD.

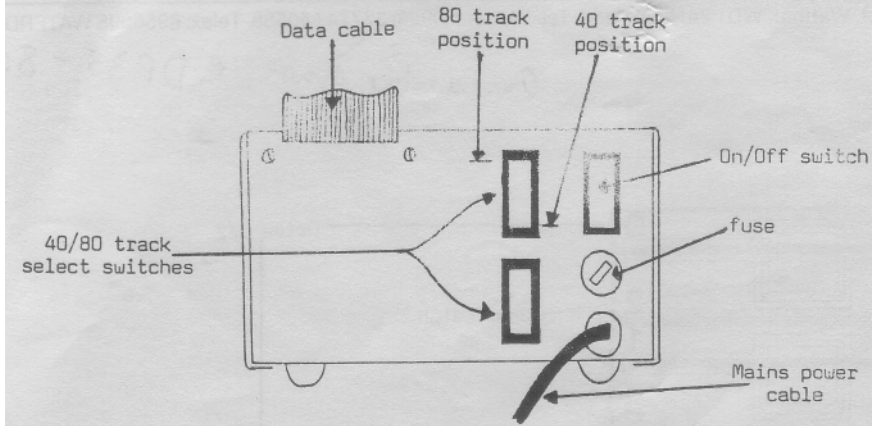


Congratulations on the purchase of your new disc drive system! Before you enter the world of fast data transfer and random access filing, please read the following notes on connecting and using the drive to your BBC computer to get the maximum performance from them.

Note: Always insert the disc head protection sheet in the drive if you are going to move it around. Do not switch the drive on with this card still in place otherwise you could damage the drives.

The above diagrams typify the type of drive you have just received. We supply two makes of drive units - EPSON and MITSUBISHI. Both drives are double sided and capable of single or double density recording formats (with appropriate interface), however the Epson drives have 40 tracks and the Mitsubishi's have 80 tracks. The data cable should be pushed home into the socket marked 'disc drives' underneath the computer. The cable will only fit in one way round due to a polarising bump on the connector. To remove the connector, push the two side arms apart and the cable should be ejected.

BACK VIEW OF CD800S



The new Mitsubishi drives have a rotary door latch. To insert a disc, first ensure that the latch is in the position shown on the diagram overleaf. Push the disc carefully into the drive, label upwards and nearest you, until the disc stops. Rotate the lever about 90 degrees clockwise to lock the disc in place. Perform the above in reverse to remove the disc.

With Epson drives, you lock the disc in place by again pushing the disc in until it clicks home, and pressing the button in the top left hand corner of the drive. To release the disc, press the button again, and the disc will be ejected.

The Mitsubishi drives have a switch mounted on the rear to change the drives from 80 to 40 tracks, allowing them to read 40 track discs from other drives. This feature is necessary if you have fitted an Acorn DFS to your machine. The Watford DFS will do the same trick under software control.

NB: Some Mitsubishi disc drives have these switches on their front fascia.

To use discs with any drive, they must first be initialised or FORMATTED. Most disc operating systems contain some form of routine to format discs. On the BBC computer, the standard Acorn Disc Filing System (DFS) does not contain a formatter and you must first obtain a suitable program for doing this. Watford Electronics can supply just such a program on disc. If, however, you own a Watford DFS then you will have no need for this program since it has a formatting routine built into it. Please refer to the DFS manual for instructions on how to format.

The drives we supply have a high access speed for the data. The BBC computer is capable of using a wide range of drives, including the old full height units. To optimise the performance of a Beeb with a set of drives, there are some link options on the keyboard. See diagram.

If you remove the cover from your Beeb and take out the keyboard (disconnect the ribbon cable), you will see a double row of eight holes on the bottom right of the keyboard (they may be horizontal or vertical depending on the age of the Beeb). If you now solder an 8-way dip switch into this position so that switch 1 is either on the left or at the bottom of the bank of switches, you will be able to select the following functions:-

SWITCH 1

This selects the 'master' filing system if you have the Acorn DNFS ROM fitted. In a machine with both Econet and DFS fitted, making this switch will power you up into the Econet system. If this switch is unmade, it will power up into a Disc system. This switch has no effect on the Watford DFS.

SWITCH 2

Currently unused.

SWITCH 3 and 4

These select the operation speed for the DFS to match the drives. For both Epson and Mitsubishi drives, both switches must be set.

SWITCH 5

This provides an Auto-Boot option. If this switch is made then on power up, or a hard reset, the computer will go to the currently selected filing system and execute a !BOOT file if found.

SWITCH 6, 7 and 8

These switches select the default screen mode which is entered when you power up the computer or perform a hard reset. With all the switches open, Mode 7 is selected, when they are all closed, Mode 0 is selected. Other settings cause further screen modes to be selected.

Note: These options may be changed under software control as well. See *FX255 in the Advanced User Guide.

