

Support Group Application Note

Number: 021

Issue: 1

Author:



## Connecting Joysticks To The BBC Micro

Applicable  
Hardware :

BBC B  
BBC B+

Related  
Application  
Notes:

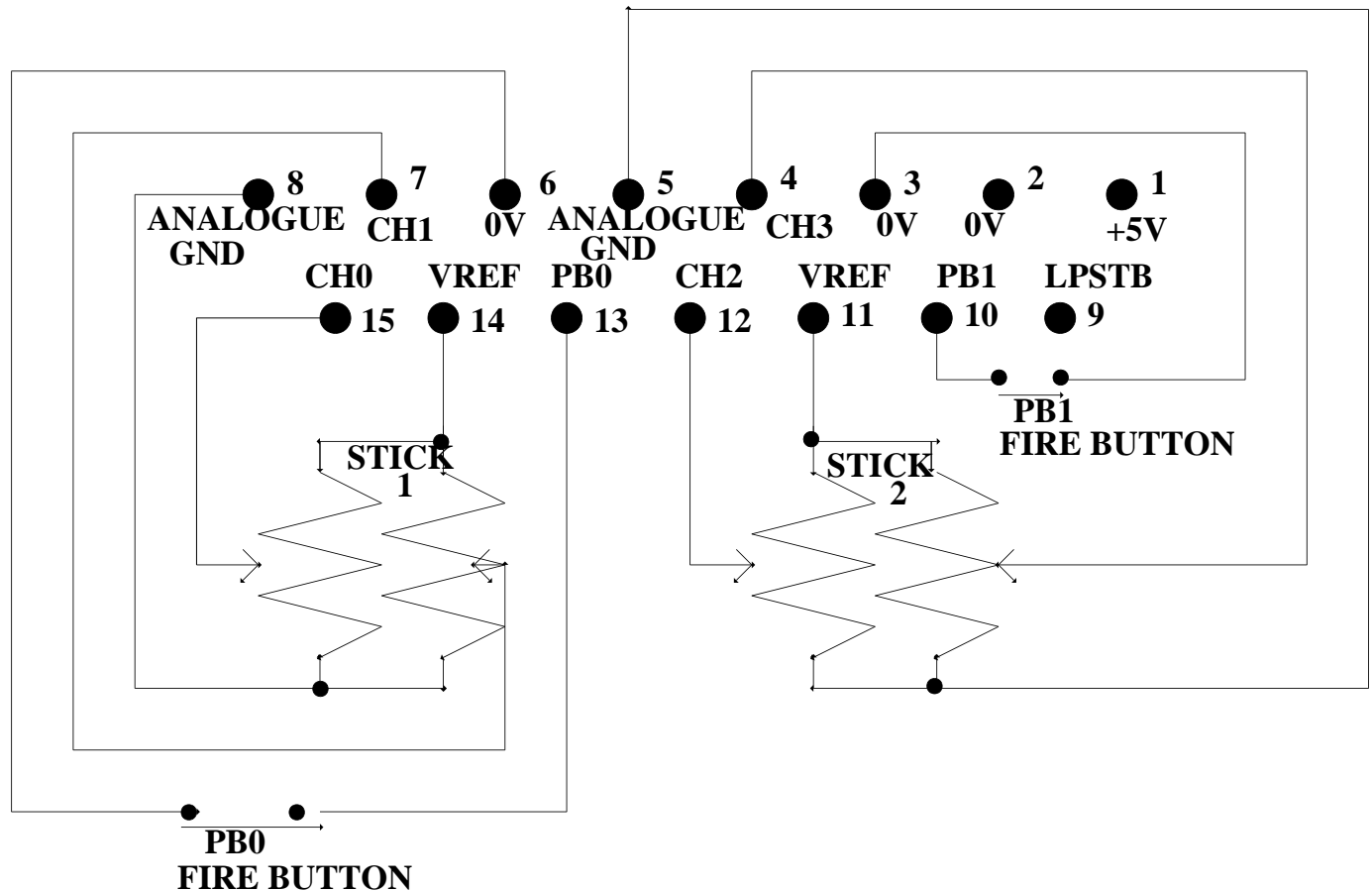
Copyright © Acorn Computers Limited 1992

Every effort has been made to ensure that the information in this leaflet is true and correct at the time of printing. However, the products described in this leaflet are subject to continuous development and improvements and Acorn Computers Limited reserves the right to change its specifications at any time. Acorn Computers Limited cannot accept liability for any loss or damage arising from the use of any information or particulars in this leaflet. ACORN, ECONET and ARCHIMEDES are trademarks of Acorn Computers Limited.

Support Group  
Acorn Computers Limited  
Acorn House  
Vision Park  
Histon  
Cambridge CB4 4AE

On the rear panel of the BBC Micro an Analogue port is provided for customers who wish to interface various peripherals to their machines, the most common of which are Joysticks or Games Paddles.

The circuit shown below is a view of the 15 way 'D' type connector seen from the outside of the machine, along with the connections for the four potentiometers and two fire buttons needed to configure a pair of joysticks.



The potentiometers shown in the diagram should be of approximately 10k in value and the fire buttons are simple switches which are open when at rest. The actual construction of the joystick itself is entirely at the users discretion but it is recommended that they are self centering.

To enable the use of the joysticks a full understanding of the "ADVAL" command is necessary, this is detailed on page 202 of the User Guide. There are also four OSBYTE calls that are used whilst reading from the ADC, these are OSBYTES &80, &BC, &BD and &BE (page 418 BBC User Guide). Only the first of these calls is documented in the User Guide, the other three enable you to read the ADC channel NO., read the maximum ADC channel No, and read the ADC conversion type, either 12 or 8 bits respectively.