

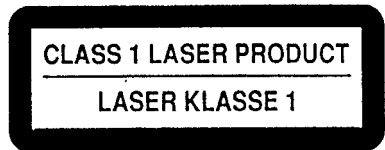
---

# Acorn ATAPI CD-ROM Release Note

---

## Safety warning

### The CD-ROM drive's laser



This unit contains a CD-ROM drive which is classified under I EC 825 as a Class I laser. This is the lowest intensity of laser in the standard.

The CD-ROM drive is constructed to prevent any external emission of laser radiation during normal operation.

There are no user serviceable parts within the CD-ROM drive fitted to this unit. Opening the CD-ROM drive itself will remove its protective shielding, and may subject you to hazardous laser radiation.

## Starting or rebooting with a CD in the CD-ROM drive

Avoid rebooting your machine with the Reset button or switching on with a CD inserted in the CD drive. If you do, when you try to use the CD, you may get errors such as 'File not found', or even 'CD-ROM drive not found'. (If you get such an error, save any loaded files and reset your machine again by pressing Ctrl-Break.)

---

## Playing audio CDs on an ATAPI CD-ROM drive

If you leave the CD-ROM drive empty after playing an audio CD, your machine may run very slowly, so you'll need to do one of the following things:

- Put your next audio CD into the CD-ROM drive.
- Quit !CDPlayer.

## CD-ROM drive headphones socket

Plugging headphones into the 2.5mm socket on the front of the CD-ROM drive does not disconnect the computer's internal speaker (unlike using the headphones socket on the rear of the computer).

## Using a Sony CDU50E CD-ROM drive

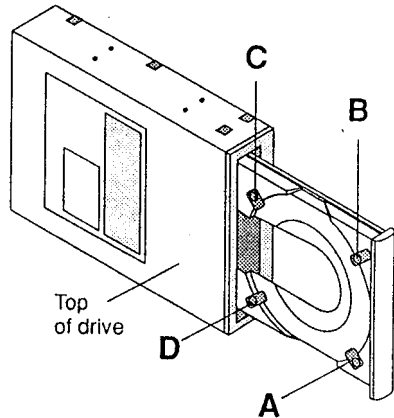
This applies if you're using a Sony CDU50E CD-ROM drive with your Risc PC in 'tower' mode (i.e. on its side):

Use the drive locks to seat a CD-ROM securely in the drive...

If CD-ROM drive on lefthand edge  
(as shown):  
Lock drive locks A, C and D

If CD-ROM drive on righthand edge:  
Lock drive locks B, C and D

(If CD-ROM drive is horizontal,  
leave all drive locks unlocked)



Copyright (c) 1995 Acorn Computers Limited  
0493,940 Issue 1