
Ethernet 3 expansion card installation addendum

Introduction

The Ethernet 3 expansion card has been designed so that its overall length can be finely adjusted to suit the requirements of different computers. This is achieved by sliding backwards or forwards the back panel angle brackets on the expansion card printed circuit board (PCB). When shipped, the card is set up to suit A5000 computers.

This method of adjusting the card length means that the expansion card spacers described on page 7 of the Expansion card installation instructions are not needed; reference to them in the instructions can be ignored.

We tell you below how to adjust the length of the Ethernet 3 expansion card. These instructions replace those given in the Expansion card installation instructions, from paragraph four on page 7 up to (but not including) *Reassembly* on page 8.

Adjusting the Ethernet 3 expansion card

To adjust the length of the expansion card, take the following steps:

- 1 If you have fitted the card, remove it from the computer.
- 2 Slacken off slightly the two nuts and screws fixing the back panel angle bracket to the PCB, using an M5 spanner and a suitable screwdriver (see Figure I).
- 3 Adjust the card length to the right size by gently sliding the back panel away from or nearer to the PCB, as required.
- 4 Re-tighten the two nuts and screws slackened earlier.

Adjusting the Ethernet 3 expansion card

- 5 Fit the expansion card and reassemble the computer, following the Expansion card installation instructions.

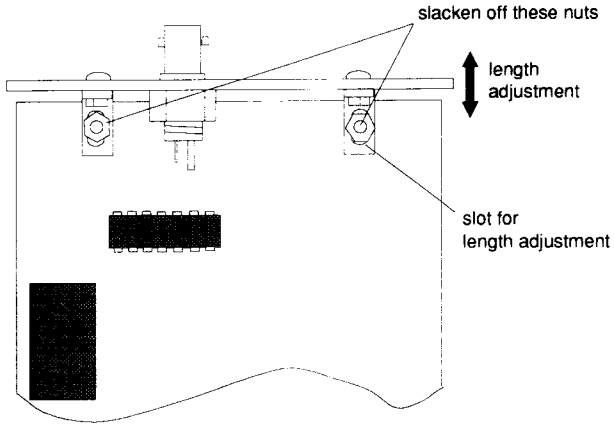


Figure 1: Adjusting the length of the Ethernet 3 expansion card

ETHERNET is a trademark of the Xerox Corporation

Copyright © 1992 Acorn Computers Limited
Published by Acorn Computers Limited
Part number 0491,155
Issue 1, October 1992