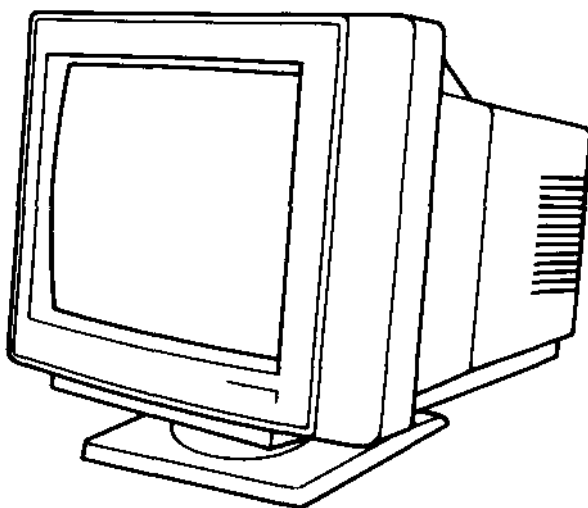


Acorn multiscan monitor

User Guide

AKF65



Introduction

This colour monitor is intended only for use with the Acorn range of 32-bit computers using the RISC OS operating system, and will display Acorn screen modes with scan rates 30kHz to 50kHz. The displayed picture will vary according to the screen mode selected.

This monitor meets the requirements of the following directives and standards:

- EEC Low Voltage Directive 73/23/EEC
- EEC Display Screen Directive 90/270/EEC
- EMC Directive 89/336/EEC
- SWEDAC Low Radiation MPR-2
- Safety of IT Equipment EN60950

Guidelines for safe operation

This product is not intended for use as a critical component in life support devices or any system in which failure could be expected to result in personal injury.

It is most important that installation and operation are carried out in accordance with the instructions given in this guide. In the interests of continued safe and reliable operation, observe the following guidelines:

Electrical safety

- **Warning: This equipment must be earthed (grounded) to prevent electrical shock hazard.**
- To disconnect the equipment from the power supply, the power lead must be removed from the power outlet.
- The equipment shall be installed near the power outlet, which shall be readily accessible.
- Do not operate this equipment if any cables are damaged.

Guidelines for safe operation

- Do not attempt to open this monitor; there are no user-serviceable parts inside. Refer all servicing to suitably qualified personnel.
- Switch off and unplug the equipment if you're not going to use it for a few days.

Installation

- This equipment is for indoor use only (in a dry and dust-free environment).
- Do not expose the equipment to sudden extremes in temperature, direct sunlight or other heat sources.
- Stand the equipment on a hard level surface, allowing enough space for air to circulate when in use.
- Locate the equipment in such a way that it does not present a hazard or interfere with other equipment.
- Ensure that any wires and cables are routed sensibly so that they cannot be snagged or tripped over. Do not tug or twist any wires or cables, or use them to hang or lift any of the units.
- Operate the machine at a room temperature of +5°C to +35°C (+41° to +95° Fahrenheit) and a relative humidity of 10% to 80% (non-condensing).
- Keep the plastic bags used in the packaging away from children and animals.
- Keep the original packaging in case you need to transport the monitor.

Precautions in use

- Do not spill liquid on the equipment. If you do, turn the equipment off immediately and take it to your supplier for assessment.
- Do not drop the equipment or subject it to excessive bumping and jarring.
- Do not obstruct, cover or poke objects into the equipment.

- Clean the equipment only when it is switched off and unplugged. Use a slightly damp cloth to clean the equipment; do **not** use alcohol or ammonia-based products.

Connecting the monitor to a power outlet

Your new monitor is designed to operate from an AC supply of 220-240V at 50Hz. Stabilising circuits ensure satisfactory performance within normal supply variations. If the supply voltage in your location is different from this, please consult your supplier.

An integral IEC320 power cord is supplied with the monitor and is designed to be plugged into the AC outlet socket of your computer (see *Figure I*).

If your computer does not have an AC outlet socket, you should purchase a cord set which allows you to power the monitor directly from the standard power outlet. In order to prevent electrical hazard, the cord set must use three-core cable of at least 6A/0.75mm², and have an earth contact on both the IEC320 free socket and the plug.

- In the UK, the plug must be a BS 1363A plug fitted with a 3A fuse, ASTA-approved to BS 1362.
- In Australia, the plug must comply with the requirements of AS31 12-1990.
- In New Zealand, the plug must comply with the requirements of NZ SS 198-1967.
- In Europe, the plug must be a CEE (7) VII plug with an earth connection.

The lead must have a maximum length of 2 metres. Consult your supplier for further assistance.

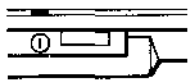
Connecting the monitor to your computer

There are two types of connector to the monitor used in the Acorn range of computers: 9-way D-type and 15-way D-type. Consult the *Welcome Guide* for your computer. This monitor is supplied with a fixed signal cable and a I 5-way connector as standard (see Figure 2).

Should your computer be fitted with a 9-way connector for the monitor, then you will need a 9-to-15-way cable adaptor between the monitor cable and the monitor connector on the computer. Tighten all four screws at the adaptor and the rear of the computer to hold this connection securely in place.

Audio connections from your computer, via a twin phono lead, are made to the colour coded phono sockets at the rear of the monitor cabinet.

Controls and adjustments



On/off switch.
The LED will illuminate when the monitor is switched on.



Used to adjust the height of the image.



Used to adjust the image horizontally from left to right.



Adjusts the screen brightness.



Adjusts the screen contrast.



Adjusts the audio level.

Using the monitor

To prevent eye strain and fatigue, you should:

- Position your monitor so that the screen is at eye level, or just below. You should adjust your chair to assist you in this.
- Avoid using bright room lighting where possible; you may find a desk lamp useful.
- Use the tilt and swivel base to help eliminate any screen reflections.
- Set the brightness and contrast controls to give the best screen display.
- Select a screen mode which has a high refresh rate (such as Mode 23) to help reduce any screen flicker. For more details, see your computer's *Welcome Guide*.
- Use a font with a size and typeface with which you are comfortable to work.
- Make sure that the colours of your text and background do not clash. For more details, see your computer's *Welcome Guide*.
- Clean the screen regularly.

Power save function

The power save function will result in a screen power down when the horizontal synchronisation signal is removed or off. This would normally be controlled through the computer when after a period of inactivity the power save function is activated. The synchronisation signal will be restored automatically when the computer is operated and full display restored within a few seconds.

Guarantee information for users in the UK

The legal responsibility while the monitor is under guarantee rests with the supplier from whom you bought it. The supplier can arrange for any work to be carried out by an Acorn-appointed third party organisation. For further information, please refer to the guarantee card supplied with the product.

Terminal connection information

UK

You should be aware of the following details about the monitor's mains cable:

- The core which is coloured **green and yellow** must be connected to the terminal in the plug coloured green and yellow, or marked by the letter E or by the earth symbol
- The core which is coloured **blue** must be connected to the terminal coloured black or marked with the letter N.
- The core which is coloured **brown** must be connected to the terminal coloured red or marked with the letter L.

Australia and New Zealand

You should be aware of the following details about the monitor's mains cable:

- The core which is coloured **green and yellow** must be connected to the terminal in the plug which is marked E or labelled green.
- The core which is coloured **blue** must be connected to the terminal which is marked N.
- The core which is coloured **brown** must be connected to the terminal which is marked P or A.

Figures

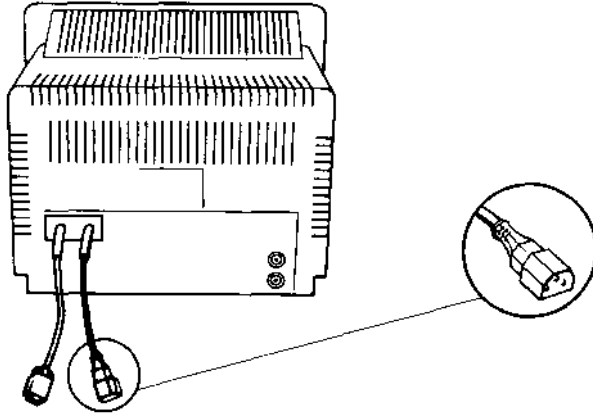


Figure 1

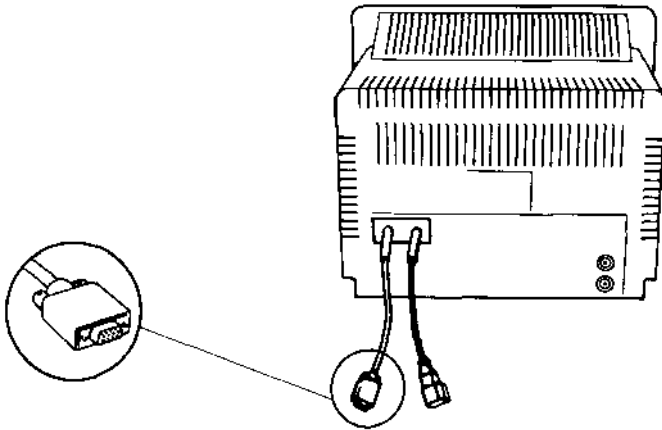
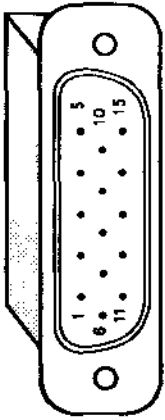


Figure 2

Signal connector information



Pin	GB	F	D	I	NL	N
1	Red	Rouge	Rot	Rosso	Rood	Ried
2	Green	Vert	Grün	Verde	Groen	Grønn
3	Blue	Bleu	Blaü	Blu	Blauw	Bla
4	Ground	Terre	Erdung	Terra	Aarde	Jord
5	N/C	Non utilisé	Kein Anschluß	Non collegato	Geen aansluiting	Ikke i bruk
6	Red ground	Terre rouge	Rote Erde	Rosso di terra	Rode aarde	Jord for Ried
7	Green ground	Terre vert	Grüne Erde	Verde di terra	Groene aarde	Jord for Grønn
8	Blue ground	Terre bleu	Blaue Erde	Blu di terra	Blauwe aarde	Jord for Bla
9	No pin fitted	Broche inexistante	Keine Pins angeschlossen	Piedino assente	Geen pin	Ingen pin montert
10	Sync ground	Sync. terre	Synchr. Erde	Terra sinc	Sync. aarde	Jord for Synk
11	ID bit 0 - ground	ID bit 0 - connecté a la terre	ID-Bit 0 - geerdet	Bit 0 ID - collegato a terra	ID bit 0 - verbonden met aarde	ID bit 0 - koblet til jord
12	ID bit 1 - N/C	ID bit 1 - non utilisé	ID-Bit 1 - kein Anschluß	Bit 1 ID - collegato a terra	ID bit 1 - geen aansluiting	ID bit 1 - ikke i bruk
13	Horizontal sync	Sync. horizontale	Horizontalsynchronisierung	Sinc orizzontale	Horizontale sync	Horisontal synk.
14	Vertical sync	Sync. verticale	Vertikalsynchronisierung	Sinc verticale	Verticale sync	Vertikal synk.
15	N/C	Non utilisé	Kein Anschluß	Non collegato	Geen aansluiting	Ikke i bruk

Copyright 1996 Microvitec Plc

The copyright in this work is vested in Microvitec Plc and this document is issued for the purposes only for which it is supplied. No licence is implied for the use of any patented feature. It must not be reproduced in whole or in part, or used for tendering or manufacturing purposes except under agreement or with the consent in writing of Microvitec and then only on the condition that this notice is included in any such reproduction. Information furnished is believed to be accurate but no liability in respect of any use of it is accepted by Microvitec.

PRINTED IN THE UK

GPO438AA0