

A3000 4Mb RAM Expansion Fitting Instructions

WARNING!



Your computer contains hazardous voltages so before removing any cover, switch off and disconnect from the mains supply as failure to do so may cause injury.

CAUTION!



OBSERVE PRECAUTIONS FOR HANDLING ELECTROSTATIC SENSITIVE DEVICES. Your computer and upgrade can be damaged by careless static discharge. Earth yourself and try to avoid touching any of the electronic circuitry.

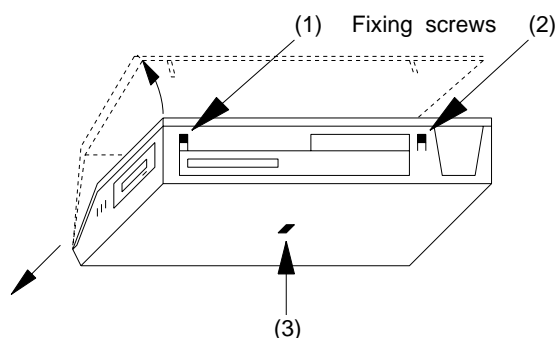
Note: The computer board and RAM upgrade card are static sensitive and excessive handling can damage them. It is recommended that the upgrade is left in its protective packaging and only removed immediately prior to plugging it into the machine. Precautions should be taken to reduce static by wearing an earthed anti-static strap or by occasionally touching an earthed surface. As the fitting of this upgrade is outside our control, no responsibility can be accepted for any consequential loss or damage caused by its incorrect installation. If you are unsure about fitting this upgrade yourself then ask your local Acorn dealer to fit it for you.

Tools Required

A small cross-head screwdriver for removing the case and for securing the memory upgrade.

Fitting

1) Disconnect the computer from the mains supply and unplug all other connecting cables. Using a small cross-head screwdriver, first unscrew the two retaining screws from the rear and turning the computer over remove the single central screw in the base.

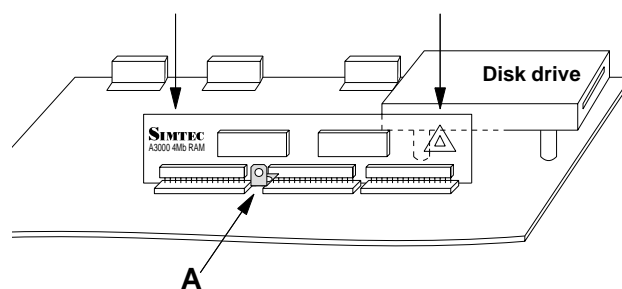


2) The top of the case can now be removed by depressing the two rear catches and lifting the lid carefully to release the three clips at the front.

3) Now locate the memory expansion connector, the line of three rows of twenty pins to the rear of the keyboard, and check that the pins are straight and none are bent or broken. Undo the central RAM upgrade fixing screw (A) and remove it.

The screw must be removed before the board is fitted as it will prevent the upgrade from making a reliable connection with the pins.

Take the upgrade from the protective bag and with the component side facing you, grip each end of the board firmly and plug its three black connectors onto the vertical rows of pins. Double check that the pins are aligned correctly before pushing home. Push the board home with firm and even pressure. If any excessive resistance is felt then check that the connectors are aligned correctly. The upgrade should be pushed down until the edge of the board touches the computer's PCB with the fixing bracket lined up with the corresponding screw hole. Replace the screw and tighten so that the upgrade is fixed firmly. Do not over tighten as you will strip the thread from the screw hole.



4) With the board now fitted, the case can now be reassembled by following the instructions in the reverse order. Make sure that the three screws are firm but not over-tight.

5) Now with the lid properly secured, reconnect the machine and switch on.

NOTE : With the new memory fitted it will be necessary to reconfigure the machine as various settings will now be different. This is easily achieved by keeping the 'R' key depressed while switching the machine on to reset the configuration settings to the default values.

6) It is highly recommended that the machine is tested for electrical safety before it is used.