

A5000 RAM Upgrade Fitting Instructions

WARNING

Ensure that your computer is disconnected from the mains supply before continuing. Failure to do so may cause injury. If you are unsure about fitting this upgrade yourself, bearing in mind that doing so will invalidate your computer's guarantee, then ask your local Acorn dealer to fit it for you.

Note: The computer and memory devices are static sensitive and excessive handling can damage them. Precautions should be taken to reduce static by wearing an earthed anti-static strap or by occasionally touching an earthed surface.

Purpose

To install a memory upgrade card in an Archimedes A5000 series computer.

Tools Required

A small cross-head screwdriver for removing the casescrews that secure the lid of the machine.

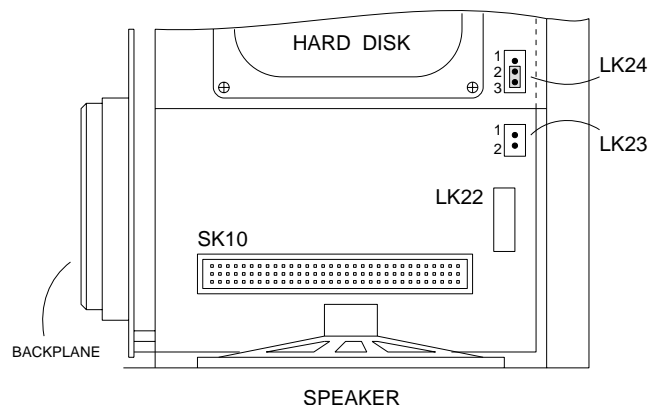
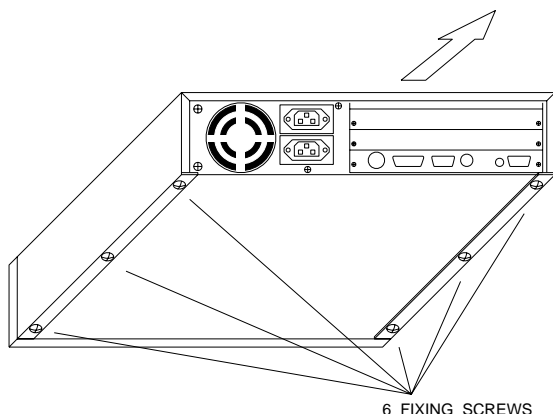
Fitting

Fitting the RAM upgrade involves the removal of the screws which secure the metal cover, so that it can be slid back to give access to the memory expansion socket at the front of the machine.

- 1) Disconnect the power cable and all other connecting cables from the the computer, placing the monitor and keyboard in a safe place. The cover can now be removed by turning the computer over and using the cross-head screwdriver, unscrew the six cover screws as shown in the diagram and put them in a safe place. Carefully turn the machine over again and slide the cover six inches towards the rear.
- 2) Locate LK23 and 24 along the front edge of the PCB, 3" from the speaker. They can just be seen under the edge of the disk drive tray. Make sure that the black jumper link of LK24 is set to position 2-3, and use the link attached to these instructions to make link LK23. Carefully push home the jumper link over the two pins.
- 3) Take the memory card from its protective bag, and insert the board into the 64 way memory expansion socket SK10, with the chips facing the speaker. The board should push in positively with no gap between the mating connectors. Make sure that the white connector LK22 does not foul the memory card when you push home.
- 4) The computer can now be reassembled by following the instructions in reverse. You may find that the lid has bellied downwards because of the weight of the monitor and so needs easing over the front flange of the case before it can be slid back fully.

After replacing the cover check once more that all cables have been reconnected and that all screws have been replaced.

When the computer is completely reassembled and the monitor and keyboard are connected, the machine can be switched on with the <Delete> key depressed to initialize the CMOS battery backed RAM. All should now be well and the configuration of the machine can be changed to the original values. If nothing happens or the computer *freezes* when switched on then turn off immediately and remove the cover to recheck the connections.



SIMTEC
ELECTRONICS

Avondale Drive, Tarleton,
Preston, Lancs PR4 6AX
Tel: (01772) 812863

LINK